

RE: CULVERTS

From: Quality Assurance <qa@obnovagroup.com.au>
To: Pietro Cossu <pietrocossu@pmlvconsulting.com>
Cc: Mick Davidovic <mick@obnovagroup.com.au>
Date: Wed, 06 Jul 2022 12:57:06 +1000
Attachments: Culvert Programme IB 06.07.22.pdf (228.11 kB); Culvert Quantity IB 06.07.22.pdf (189.73 kB)

Hi Pietro,

See attached draft programme for review and comment.

Please note, Saturdays can be added to this programme if needed.

Regards,

Ian Bennett

Undergraduate Engineer

OBNOVA Concrete Constructions Pty Ltd

252 Nolan Street Unanderra NSW 2526

PO Box 1553 Unanderra NSW 2526

Phone 02 4271 8022

Email: qa@obnovagroup.com.au

Website: www.obnovagroup.com.au



From: Pietro Cossu <pietrocossu@pmlvconsulting.com>
Sent: Monday, 4 July 2022 2:41 PM
To: Quality Assurance <qa@obnovagroup.com.au>
Subject: Fwd: CULVERTS

Pietro Cossu

Begin forwarded message:

From: Pietro Cossu <pietrocossu@pmlvconsulting.com>
Date: 30 June 2022 at 3:13:32 pm AEST
To: Mick Davidovic <mick@obnovagroup.com.au>, Milanka Zugic <milanka@obnovagroup.com.au>
Subject: CULVERTS

Hi Mick

I sent an email to Milanka on Monday requesting a confirmation of price and a program please confirm.
Regards this as a letter of intent, and also find attached attached a program that is required for construction
Let me know

Thanks

Pietro Cossu

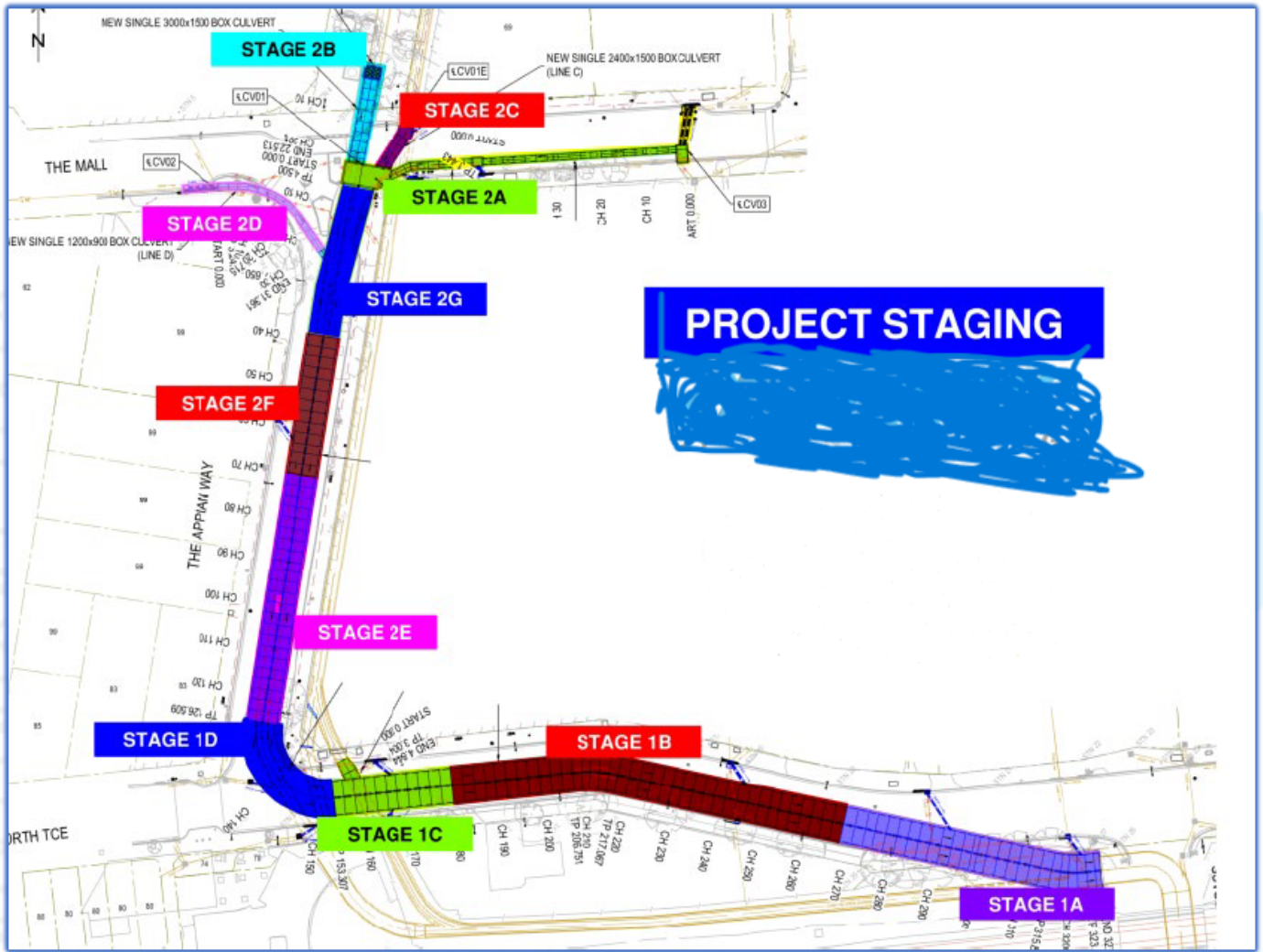
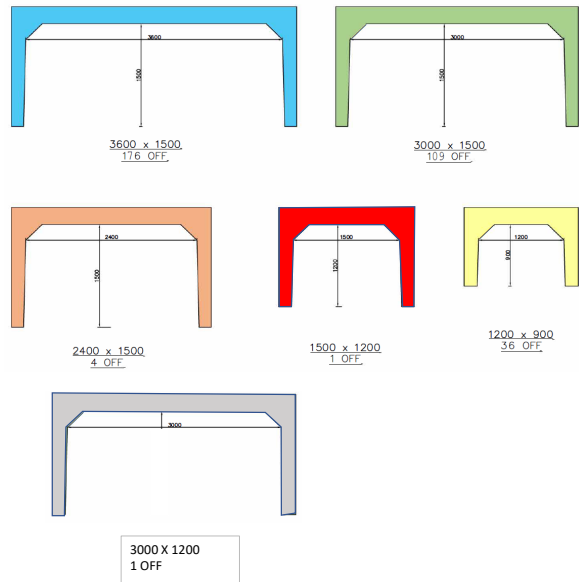


Figure 4 - Project Staging Drainage



Year	Month	Day	3600 x 1500	3000 x 1500	2400 x 1500	1500 x 1200	1200 x 900	3000 x 1200	Comments
2022	July	2	176	109	4	36	1		
		3							
		4							
		5							
		6							LETTER OF INTENT
		7							PROGRAMME AS OF WED 6/7/22
		8							CONFIRM DIMENSIONS & DESIGN
		9							
		10							
		11							APPROVAL OF REO
		12							1-2 WEEK BUFFER BETWEEN APPROVAL OF REO AND MANUFACTURING OF CAGES
		13							
		14							
		15							
		16							
		17							
		18							
		19							
		20							
		21							PRE POUR INSPECTION
		22	1						CAST FIRST CULVERT
		23							
		24							
		25	2						
		26	2						
		27	2						
		28	2						
		29	2	1					
		30							
	Aug	1	2	4					
		2	2	4					
		3	2	4					
		4	2	4					
		5	2	4					
		6							
		7							
		8	2	4	1				
		9	2	4	1				
		10	2	4	1				
		11	2	4	1				
		12	2	4					
		13							
		14							
		15	2	4		2			
		16	2	4		2			
		17	2	4		2			
		18	2	4		2			
		19	2	4		2			
		20							
		21							
		22	2	4	1	2			
		23	2	4		2			
		24	2	4		2			
		25	2	4		2			
		26	2	4		2			
		27							
		28							
		29	2	4		2			
		30	2	4		2			
		31	2	4		2			
	Sept	1	2	4		2			
		2	2	4		2			
		3							
		4							
		5	2	4		2	1		
		6	2	4		2			
		7	2			2			
		8	2						
		9	2						
		10							
		11							
		12	2						
		13	2						
		14	2						
		15	2						
		16	2						
		17							
		18							
		19	2						
		20	2						
		21	2						
		22	2						
		23	2						
		24							
		25							
		26	2						
		27	2						
		28	2						
		29	2						
		30	2						
	Oct	1							
		2							

176
109
4
1
36
1





Year	Month	Day	3600 X 1500	3000 X 1500	2400 X 1500	1500 X 1500	1200 X 900	3000 X 1200	Comments
		3 Monday	176	109	4	4	36	1	Public Holiday
		4 Tuesday	2						
		5 Wednesday	2						
		6 Thursday	2						
		7 Friday	2						
		8 Saturday							
		9 Sunday							
		10 Monday	2						
		11 Tuesday	2						
		12 Wednesday	2						
		13 Thursday	2						
		14 Friday	2						
		15 Saturday							
		16 Sunday							
		17 Monday	2						
		18 Tuesday	2						
		19 Wednesday	2						
		20 Thursday	2						
		21 Friday	2						
		22 Saturday							
		23 Sunday							
		24 Monday	2						
		25 Tuesday	2						
		26 Wednesday	2						
		27 Thursday	2						
		28 Friday	2						
		29 Saturday							
		30 Sunday							
	Nov	31 Monday	2						
		1 Tuesday	2						
		2 Wednesday	2						
		3 Thursday	2						
		4 Friday	2						
		5 Saturday							
		6 Sunday							
		7 Monday	2						
		8 Tuesday	2						
		9 Wednesday	2						
		10 Thursday	2						
		11 Friday	2						
		12 Saturday							
		13 Sunday							
		14 Monday	2						
		15 Tuesday	2						
		16 Wednesday	2						
		17 Thursday	2						
		18 Friday	2						
		19 Saturday							
		20 Sunday							
		21 Monday	2						
		22 Tuesday	2						
		23 Wednesday	2						
		24 Thursday	1						
		25 Friday							
		26 Saturday							
		27 Sunday							
		28 Monday							
		29 Tuesday							
		30 Wednesday							
	Dec	1 Thursday							
		2 Friday							
		3 Saturday							
		4 Sunday							
		5 Monday							
		6 Tuesday							
		7 Wednesday							
		8 Thursday							
		9 Friday							
		10 Saturday							
		11 Sunday							
		12 Monday							
		13 Tuesday							
		14 Wednesday							
		15 Thursday							
		16 Friday							
		17 Saturday							
		18 Sunday							
		19 Monday							
		20 Tuesday							
		21 Wednesday							
		22 Thursday							
		23 Friday							
		24 Saturday							
		25 Sunday							
		26 Monday							
		27 Tuesday							
		28 Wednesday							
		29 Thursday							
		30 Friday							
		31 Saturday							

CBCITY Priority	Stage	Culvert	Culv description	Obnova colour	Qty
1	1A	3600 x 1500	Standard	Blue	21
		3600 x 1500	Blockout	Blue	16
		3600 x 1500	Custom	Blue	11
		3600 x 1500	shorter length	Blue	4
		3600 x 1500	Custom blockout	Blue	1
	2B	3000 x 1500	Standard	Green	7
		3000 x 1500	Custom	Green	1
		3000 x 1500	Standard	Green	1
	2C	2400 x 1500	Standard	Orange	3
		2400 x 1500	Custom	Orange	1
2	1B	3600 x 1500	Standard	Blue	54
		3600 x 1500	Blockout	Blue	10
		3600 x 1500	Custom	Blue	10
3	1C	3600 x 1500	Standard	Blue	14
		3600 x 1500	Blockout	Blue	4
		3600 x 1500	Custom	Blue	2
		3000 x 1200	Custom	Grey	1
	2A	1200 x 900	Standard	Yellow	21
		1200 x 900	Custom	Yellow	2
4	1D	1500 x 1200	Custom blockout	Red	1
		3600 x 1500	Standard	Blue	27
		3600 x 1500	Custom blockout	Blue	2
5	2D	3000 x 1500	Standard	Green	6
		1200 x 900	Custom	Yellow	12
6	2E	1200 x 900	Standard	Yellow	1
		3000 x 1500	Standard	Green	30
		3000 x 1500	Standard	Green	21
7	2F	3000 x 1500	Custom	Green	2
		3000 x 1500	Blockout	Green	1
		3000 x 1500	Standard	Green	34
8	2G	3000 x 1500	Custom	Green	4
		3000 x 1500	Custom blockout	Green	2
		3000 x 1500	Standard	Green	34
Total=					327

	Qty	Standard	Blockout	Custom	Short	Custom Blockout
Blue	176	116	30	23	4	3
Green	109	99	1	7	0	2
Orange	4	3	0	1	0	0
Yellow	36	22	0	14	0	0
Grey	1	0	0	1	0	0
Red	1	0	0	0	0	1
Total =		327				

